

- Back
 - o PushPull Power
 - o Flat Cable Connectors SEK
 - o *har-mik®*
 - o D-Sub
 - o InduCom

- Applications

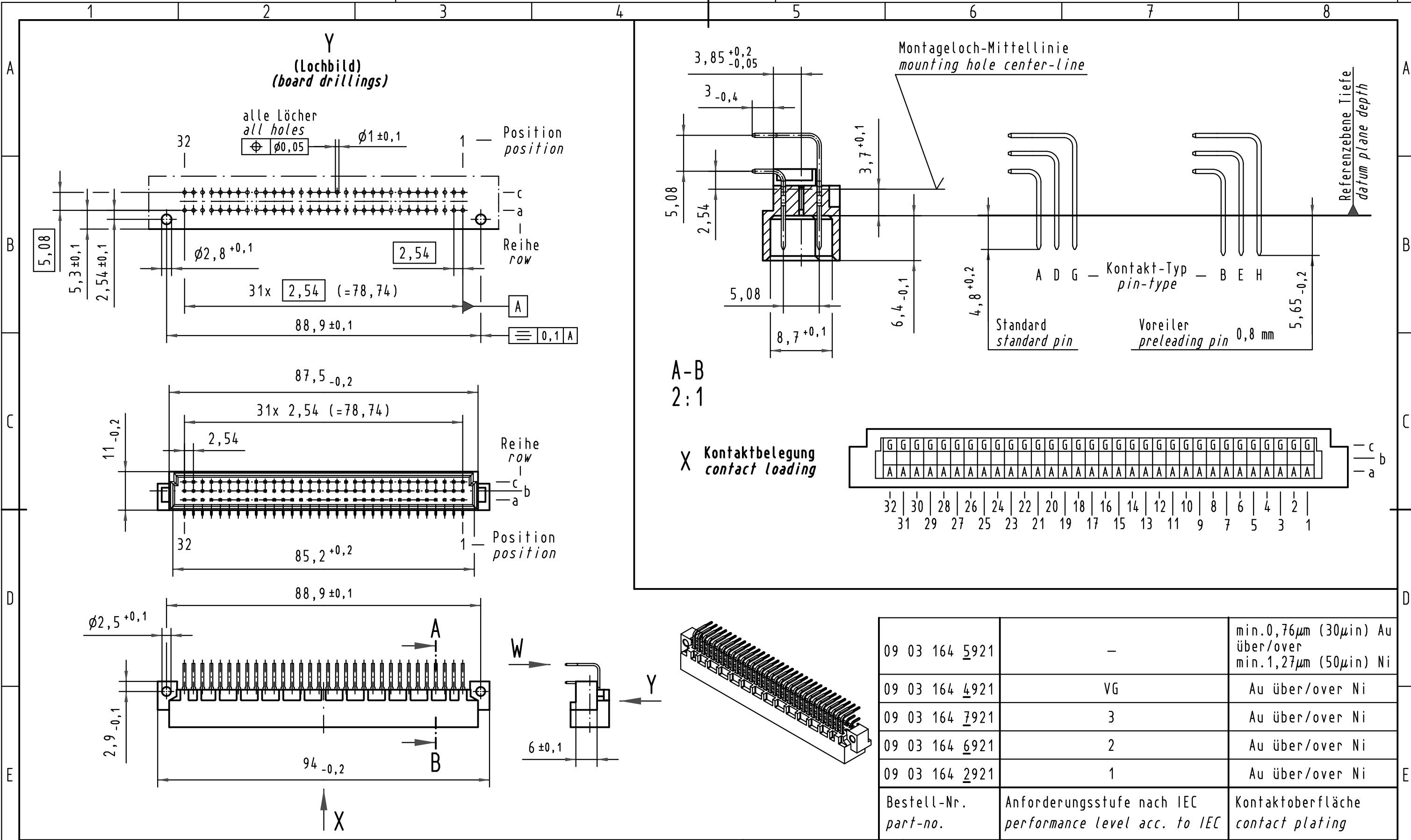
Product details

09 03 164 6921

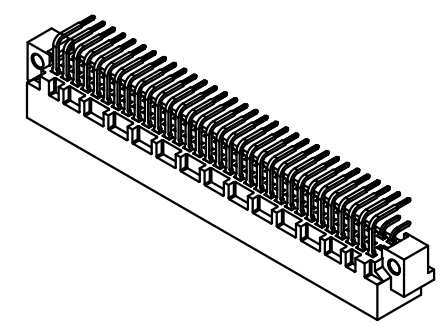
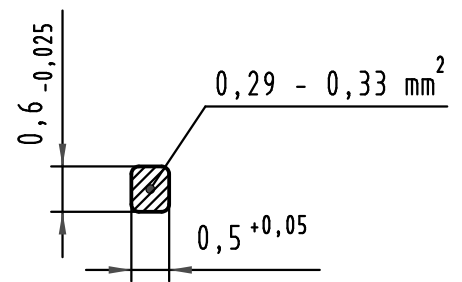
Printed board connector

Type	Type C
Standard/Inverse	Standard
Contact gender	Male contacts
Size	Whole size
Number of contacts	64 poles
Contact arrangement	Rows a and c
Termination	Angled solder pins
Termination length	3.0 mm
First mating contact	without first mating contacts
Performance Class	Performance level 2 as per IEC 60603-2
Contacts	with contacts
Row pitch	2.54 mm
Board fixing	Without fixing
Coding facility	without coding facility
Current	2 A max.
Clearance/ Creepage	1.2 / 1.2 mm min.
RoHS compliant	Yes

Alle Rechte vorbehalten/ All rights reserved



W
10:1
Querschnitt der
Lötanschlüsse:
cross-section of
solder terminations:



09 03 164 5921	—	min.0,76µm (30µm) Au über/over min.1,27µm (50µm) Ni
09 03 164 4921	VG	Au über/over Ni
09 03 164 7921	3	Au über/over Ni
09 03 164 6921	2	Au über/over Ni
09 03 164 2921	1	Au über/over Ni
Bestell-Nr. part-no.	Anforderungsstufe nach IEC performance level acc. to IEC	Kontaktoberfläche contact plating

 All Dimensions in mm Original Size DIN A 3	Techn. Character.			Nicht tolerierte Maße/Free size tolerances IEC 60603-2	
		Dat.	Name	Maßstab/Scale	
				1:1	
				2:1	
				10:1	
34650	12.10.07	Hage.	HARTING Electronics GmbH & Co. KG		
27477			D-32339 ESPELKAMP		
Mod.	Dat.	Name			
			TB 09 03 164 x921		Blatt/ page
			Sub.		